

- Up to 32 addressable sensors
- Automatic safety check diagnostics/system surveillance
- Conventional 3 core or single 4 core sensor network
- Front panel push button function adjustment
- Continuous display of operating conditions
- Sensor reading - peak hold
- Versatile sensor configuration
- One man calibration utilising data storage
- Sensors easily removed or added
- Low cost installation
- Programming - secondary access code protection
- Three alarm trip points
- 16 user selectable alarm relays



Gas Net has been designed to operate in the full range of environments from commercial premises through to heavy industrial applications which may require hazardous area sensing.

Typical monitor locations are - public buildings, car parks, tunnels, breweries, boiler plant rooms, water treatment works, H&V control, manufacturing, process plants, horticulture, hotels, offices.

Each gas sensor continuously monitors the atmosphere, reporting any hazardous conditions to the control unit, for display by the alpha numeric screen indicating the reporting sensor, gas type, concentration and alarm status. Alarm levels that are exceeded will automatically activate a variety of signal outputs including analogue/digital data and user selectable relays.

The Gas Net system operates on a single 4-core cable network and has the capacity to monitor up to 32 addressable sensors of various gas types. Larger systems offering unlimited sensors can be achieved using multiple Gas Nets housed in a 19" rack based system. The Gas Net is supplied ready to use with pre-calibrated gas sensors and provides for additional sensors that can be easily added to any point of the network. When local indication/alarm functions are required, any number of Snoop remote alarm panels may be connected, offering repeat functions of the main panel.

**Sensor points**

- 1 - 32

**Measurements**

- Combustible Gas - L.E.L., % vol
- Toxic Gas - ppm, % vol
- Oxygen - % vol - Depletion/Enrichment
- Refrigerant - Alarm
- Any 4 - 20mA transmitter

**Power Consumption**

- 230/115v AC or 24v DC
- Control unit - 7.5w quiescent 17w full alarm condition
- Sensor - 2.5w

**Indicators - control unit**

- Dot matrix liquid crystal display 4 lines indicating:- sensor address, gas type, concentration (rising or falling), peak hold, alarm status, system fault, sensor fault, line fault, relay inhibit
- Power - Twin Green L.E.D's
- Alarm - Twin Red L.E.D's
- Fault - Twin Amber L.E.D's

**Outputs**

- 16 Relays user selectable. S.P.C.O.
- Relay 1 pre-set - Common low alarm (1<sup>st</sup> alarm stage)
- Relay 2 pre-set - Common high alarm (2<sup>nd</sup> alarm stage)
- Relay 3 pre-set - Common over-range alarm (3<sup>rd</sup> alarm stage)
- Fault - Common relay 17- S.P.C.O. N/E - N/D option
- Mains fail relay - S.P.C.O. N/E
- All contacts rated @ 5A-230v AC
- Relays 1-16 user selectable normally energised or de-energised, latched or unlatched
- Relays 1-16 user selectable for any arrangement of sensor zone
- 9 way D type socket for RS232 communication
- General alarm relay - resettable S.P.C.O.

**Internal audible alarms**

- Alarm/Fault - permanent mute option

**Outputs - sensor safe area**

- Relay D.P.C.O. N/D
- Optional digital display card, internal alarm LED and sounder

**Sensor Cable**

- Main network - 4 core (2 power - 2 comms) 1.5mm<sup>2</sup> screened max length 1km
- Outstation - 3 core 1.5mm<sup>2</sup> screened max length 1km

**Environmental**

- Control unit - IP52 option IP65
- Operating temperature -10 + 50°C
- Humidity -0 to 90RH

**Miscellaneous**

- Enclosure cable entry - bottom, rear, top
- Alarm relays - automatic inhibit during service periods

**Dimensions**

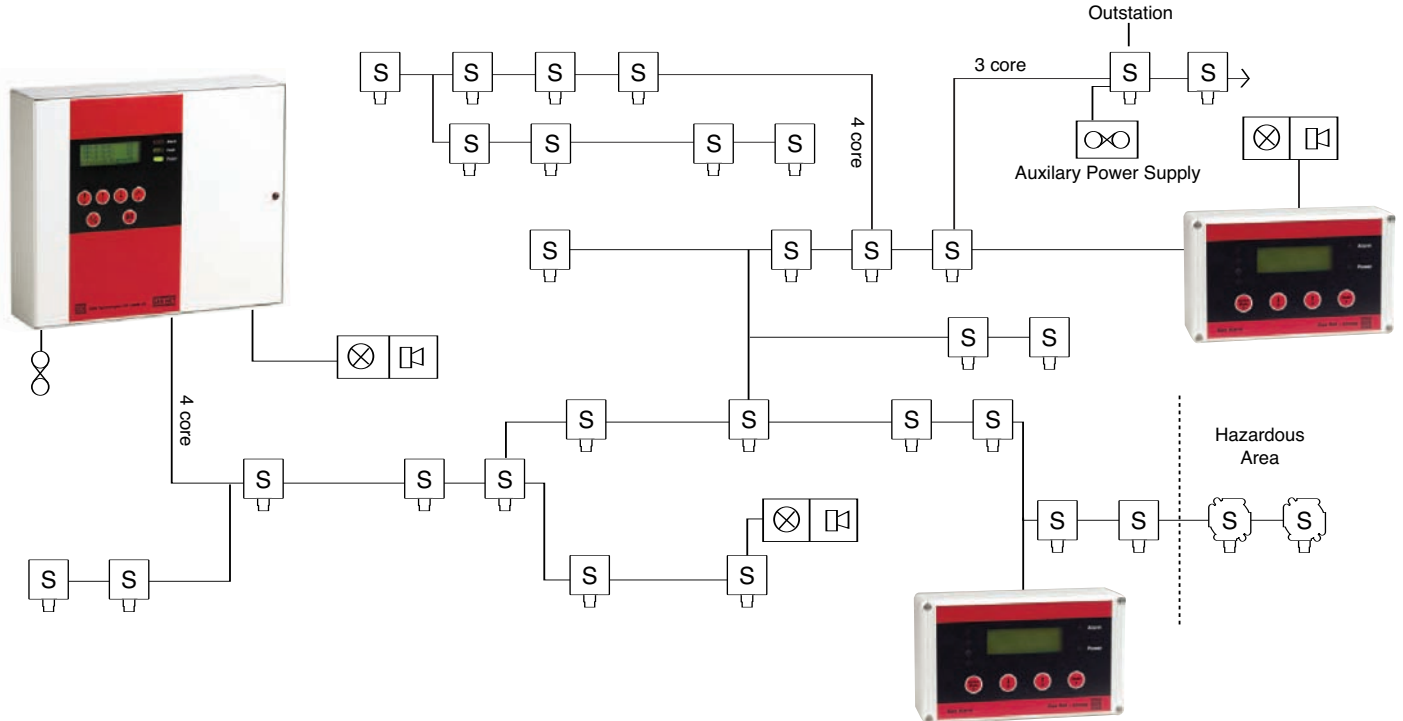
- 310W x 265H x 75D (Weight:- 4.9Kg)
- Option - front cover lock
- Option - standby power supply

**Snoop Panel**

- 4 relays user selectable D.P.C.O. sensor zoning and voting
- 4 analogue outputs 4~20mA selectable for any sensor combination

**Dimensions**

- 200W x 120H x 60D (Weight:- 0.55Kg)



Safe Area Sensors

Hazardous Area Sensor



C134 ISO 9001

This document is not contractual and the equipment specification may be modified at any time without prior notice.

**GDS Technologies Ltd**

Fusion Point  
 Ash Lane, Garforth  
 Leeds UK LS25 2GA  
 Tel +44 (0)113 286 0166  
 Fax +44 (0)113 287 8178  
 www.gds-technologies.co.uk

